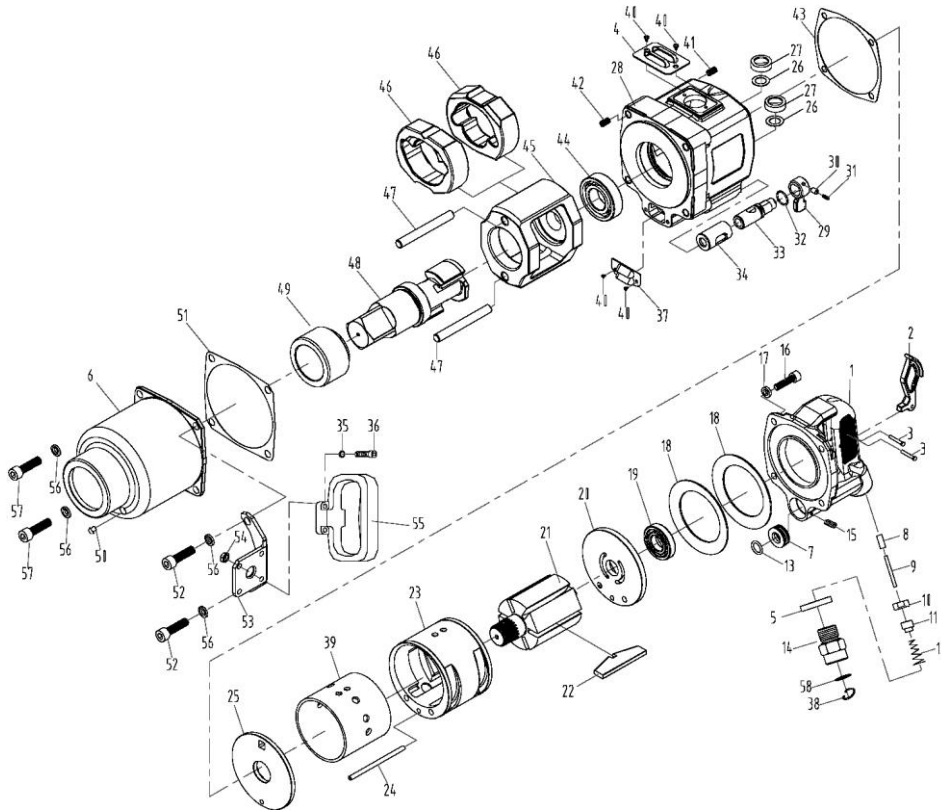


C5314

1-1/2" HEAVY DUTY AIR IMPACT WRENCH W/1"(6")(8") ANVIL (TWIN-HAMMER)



PARTS LIST

No.	Parts No.	Description	Q'ty
1	c5314-01	Seal Cap Ass'y [Incl. 8]	1
2	c5314-02	Trigger	1
3	c5314-03	Pin	2
4	c5314-04	Exhaust Deflector	1
5	c5314-05	Washer	1
6	c5314-06	Hammer Housing Ass'y [Incl. 50]	1
7	c5314-07	Bushing	1
9	c5314-09	Pin	1
10	c5314-10	Cup Plug	1
11	c5314-11	Valve Sleeve	1
12	c5314-12	Spring	1
13	c5314-13	O-Ring	1
14	c5314-14A	Air Inlet Bushing (PT19)	1
	c5314-14B	Air Inlet Bushing (NPT18)	1
15	c5314-15	Screw	1
16	c5314-16	Screw	4
17	c5314-17	Washer	4
18	c5314-18	Washer	2
19	c5314-19	Bearing	1
20	c5314-20	Rear Plate	1
21	c5314-21	Rotor	1
22	c5314-22	Rotor Blade	6
23	c5314-23	Cylinder Ass'y [Incl. 39]	1
24	c5314-24	Cylinder Pin	1
25	c5314-25	Front Cover	1
26	c5314-26	Oil Framework	2
27	c5314-27	Oil Seal	2
28	c5314-28	Cylinder Housing [Incl. 34, 41(4), 42(4)]	1

No.	Parts No.	Description	Q'ty
29	c5314-29	Direction Button	1
30	c5314-30	Sleeve	1
31	c5314-31	Spring	1
32	c5314-32	O-Ring	1
33	c5314-33	Direction Pole	1
34	c5314-34	Reverse Bushing	1
35	c5314-35	Washer	4
36	c5314-36	Screw	4
37	c5314-37	Exhaust Deflector	1
38	c5314-38	1/2" Retainer Ring	1
40	c5314-40	Screw	4
43	c5314-43	Seal Plate	1
44	c5314-44	Bearing	1
45	c5314-45	Hammer Cage	1
46	c5314-46	Hammer	2
47	c5314-47	Hammer Pin	2
48	c5314-48A	1-1/2" Dr. Anvil	1
	c5314-48B	1-1/2" Dr. Anvil 6" Ext.	1
	c5314-48C	1-1/2" Dr. Anvil 8" Ext.	1
49	c5314-49	Bushing	1
51	c5314-51	Seal Plate	1
52	c5314-52	Screw	2
53	c5314-53	Handle Stand	1
54	c5314-54	Nut	4
55	c5314-55	Handle	1
56	c5314-56	Washer	4
57	c5314-57	Screw	2
58	c5314-58	1/2" Mesh Filter	1